



VQ4100 Quick Reference Guide

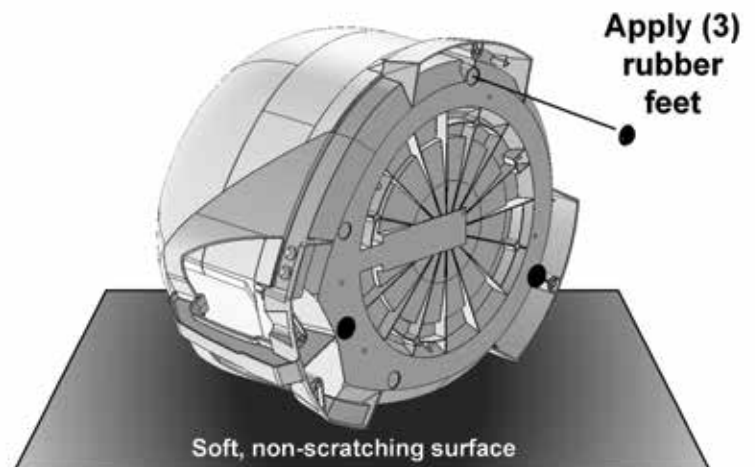
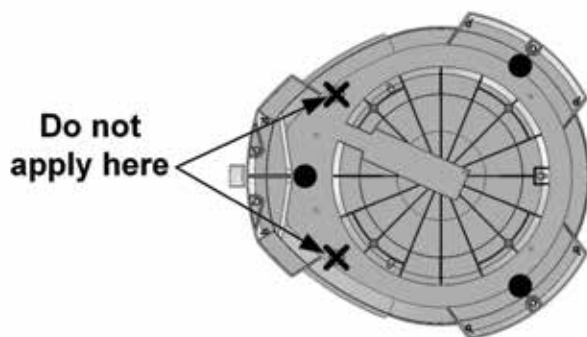
This Quick Reference Guide will have you watching TV in minutes!

For additional information regarding the KING Quest, see your Owner's Manual.

1 Lay the unit on a soft, non-scratching surface, and apply the (3) rubber feet.

IMPORTANT!

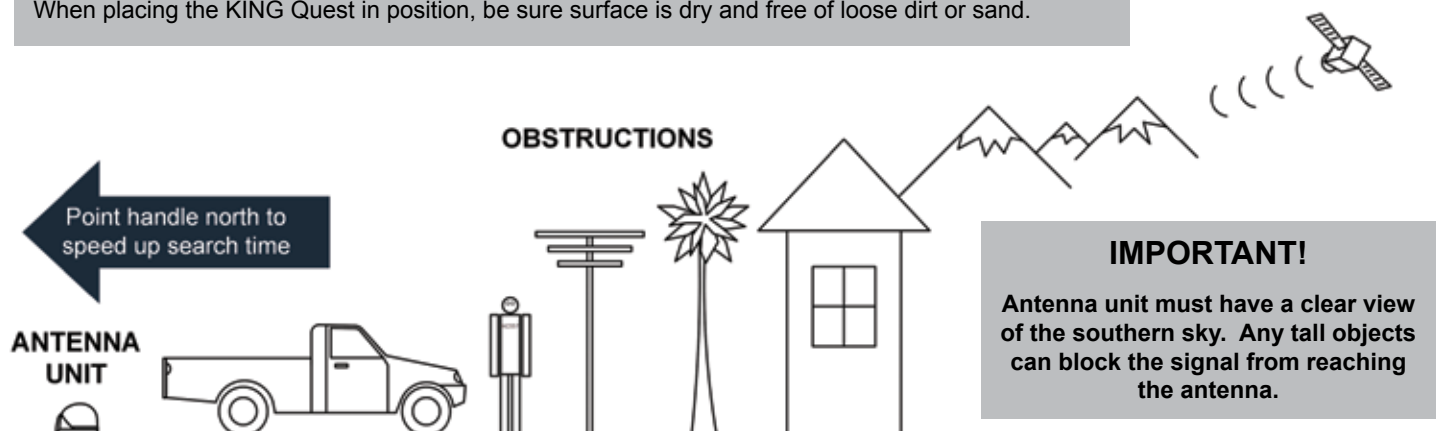
DO NOT apply feet if you will be roof mounting the antenna unit.



2 Place antenna unit in a location to scan for DIRECTV 101 satellite.

Place the KING Quest on a stable and reasonably level surface with a clear view of the southern sky. When placing the KING Quest in position, be sure surface is dry and free of loose dirt or sand.

101 SATELLITE IN SOUTHERN SKY



3 Set up TV and receiver.

Receiver must be configured as follows:

Dish Type: 01: 18" Round
Switch Type: 02: Multiswitch

Make these one time settings in the receiver's satellite setup menu screens.

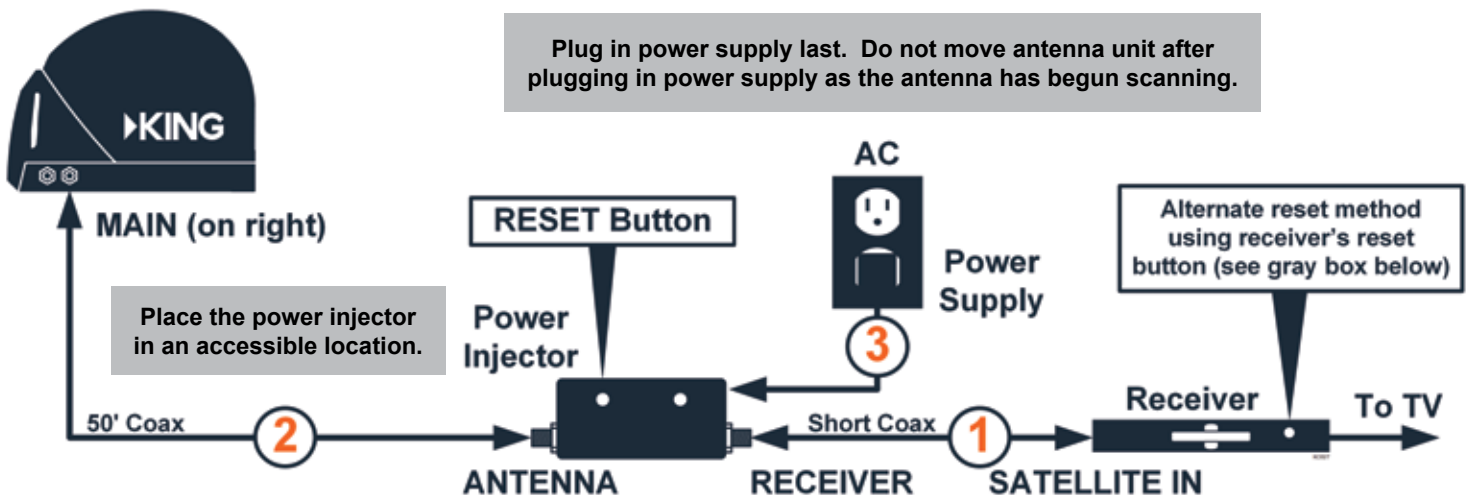
The KING Quest will not work with SWM only receivers. For a list of compatible receivers, see www.kingconnect.com/dtv-receivers.

All components sold separately.



4 Make connections 1-3 in the order shown.

Plug in power supply last. Do not move antenna unit after plugging in power supply as the antenna has begun scanning.



Do not over tighten the coax connections. Do not put sharp bends or kinks in the coax cable. Do not route the coax cable where it can be tripped on or run over by a vehicle.

When all connections are made, the antenna unit will scan for the DIRECTV 101 satellite.

DO NOT MOVE THE ANTENNA UNIT WHILE IT IS SCANNING.

When the satellite is found, your programming will appear. Enjoy!

The antenna unit begins scanning when you plug in the power injector. **PLEASE BE PATIENT!** The antenna unit may lock on the satellite in as little as 2 minutes, but may occasionally take up to 10-15 minutes.

If you wish to start a new scan (for example, the unit gets moved and you lose reception): press the power injector's RESET button. This is the preferred method to start a new scan, but there are two alternate methods as well:

- Disconnect and reconnect the coax from the MAIN port on the antenna unit.
- Press the RESET button on the receiver (works for select receivers only, such as models D12, H24, and HR24).

The KING Quest is not programmed to lock on the 119 satellite, so you will not receive your local channels if they are broadcast from the 119. If you wish to receive programming from the 119 as well as the 101, you can replace the power injector with the KING UC1000 Controller (sold separately - see your dealer or our website www.kingconnect.com for details).